

**JUKI**



# DDL-8100e

1-needle, Lockstitch Machine

This sewing machine has been designed with a new concept.



DDL-8100e



### Sewing mechanism that demonstrates outstanding responsiveness to materials to be sewn.

By thoroughly investigating and modifying the sewing mechanisms in order to achieve low-tension sewing, the machine flexibly responds to various kinds of materials and produces beautiful seams of consistent quality.

### The machine has been designed for reduced vibration and noise and upgraded reliability and durability.

By adopting a machine frame structure designed to obtain optimal balance and upgrade strength and rigidity, the machine runs with reduced vibration and noise.

### The machine has easy-to-operate functions to achieve improved operability.

By providing a presser foot with a higher lift (13mm), a light-touch stitch dial, and other easy-to-operate functions, the burden on the operator is lightened, and productivity is further increased.



The hand pulley has been designed to contain a deep recess to allow the operator to hold the pulley firmly and turn it with ease.

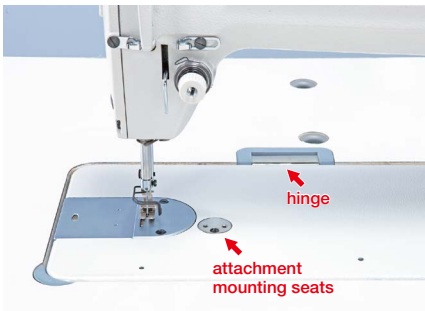


### The machine provided as standard with attachment mounting seats.

The machine is provided as standard with extra attachment mounting seats for attachment of new auxiliary parts in the future. The extremely high durability of the seats ensures an extended service with frequent replacement of attachments.

### The location of the hinge to prevent the sewing material from being caught by the hinge.

The hinge is located as such so as to prevent the material from being caught by it, thereby improving workability.



## SPECIFICATIONS

Model name	DDL-8100e, DDL-8100eB	DDL-8100eH
Application	Light- to Medium-weight	Heavy-weight
Max. sewing speed	4,500 sti/min*	4,000 sti/min*
Max. stitch length	5mm	
Needle bar stroke	30.7mm	35mm
Lift of the presser foot	By hand: 5.5mm By knee: 13mm	
Needle	DBx1 (#14) #9~#18	DBx1 (#21) #20~#23
Feed dog	DDL-8100e: 3-row DDL-8100eB: 3-row	3-row
Hook	Automatic-lubricating full-rotary hook	
Lubrication	Automatic	
Lubricating oil	JUKI MACHINE OIL No. 7 (equivalent to ISO VG7)	
Weight of the machine head	26kg	

\* sti/min is the abbreviation for "stitches per minute"

## WHEN YOU PLACE ORDERS

Please note when placing orders, that the model name should be written as follows:

### Machine head

**DDL8100e**

Application	Code
Light- to Medium-weight (3-row)	
Heavy-weight (4-row)	B
Heavy-weight (3-row)	H

### JUKI ECO PRODUCTS

The DDL-8100e is an eco-friendly product which complies with JUKI ECO PRODUCTS standards for protecting the environment.



● The sewing machine complies with the "Juki Group Green Procurement Guidelines" on the use of hazardous substances, which is stricter than other restrictions, such as those of the RoHS Directive.

For details of JUKI ECO PRODUCTS, refer to: <https://www.juki.co.jp/en/company/eco>

\*The RoHS Directive is an EU Directive limiting the use of 6 hazardous substances (lead, hexavalent chromium, mercury, cadmium, PBB and PBDE) in electrical and electronic equipment. The Juki Green Procurement Guideline is the voluntarily established criteria to eliminate not only the aforementioned six substances, but also other ones which also adversely affect the environment.



MS  
CM001



EMS  
ISO14001  
JSAE389

Registered Organization: JUKI CORPORATION Head Office  
The Scope of the Registration: The activities of research, development, design, sales, distribution, and maintenance services of industrial sewing machines, household sewing machines and industrial robots, etc., including sales and maintenance services of data entry systems.

**JUKI**  
JUKI CORPORATION  
SEWING MACHINERY & SYSTEMS BUSINESS UNIT

2-11-1, TSURUMAKI, TAMA-SHI,  
TOKYO 206-8551, JAPAN  
PHONE: (81) 42-357-2370  
FAX: (81) 42-357-2274  
<https://www.juki.co.jp/en>

\* Specifications and appearance are subject to change without prior notice for improvement.  
\* Read the instruction manual before putting the machine into service to ensure safety.  
\* This catalogue prints with environment-friendly soyink on recycle paper.  
\* Paper from responsible sources FSC™ C001712

JUNE, 2022 Printed in Japan(TN)